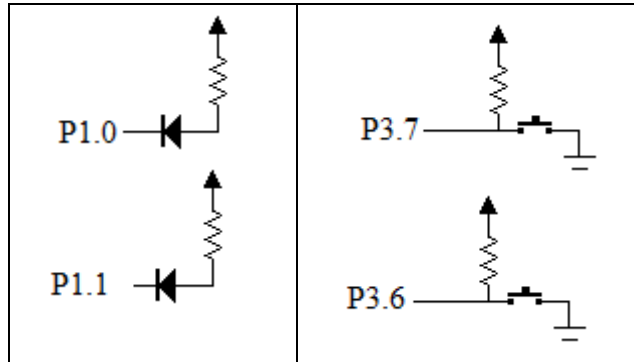


**EE 354**  
**Assignment 1**  
**8051 Assembly Language**

**Assigned: August 28, 2017**  
**Due: Sept. 6, 2017**

Write an assembly language program that runs on the AT89C51CC03 board. Add two LEDs to your board at P1.0 and P1.1 and add two push button switches to the board on P3.6 and P3.7. All resistors are 1K.



Your program should do the following:

<b>P3.7 switch</b>	<b>P3.6 switch</b>	<b>P1.0 LED</b>	<b>P1.1 LED</b>
open	open	off	off
open	closed	off	on
closed	open	on	off
closed	closed	blinks	blinks

The blink rate for the LEDs when both switches are closed should be about 10 times second.

Bring your completed project to class on September 6 for an in class demo.

Turn in the following:

- Cover sheet with your name, assignment number, and date turned in.
- A hard copy of your commented assembly code.